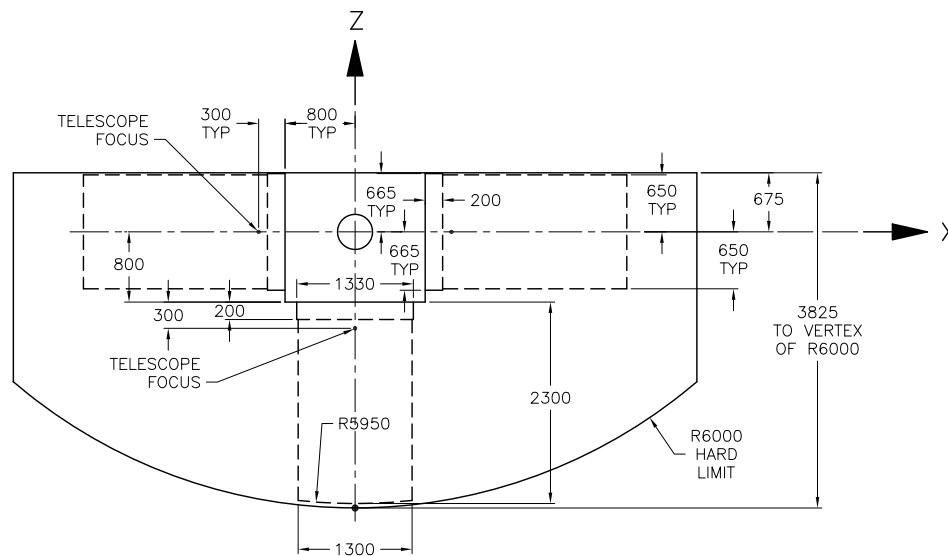
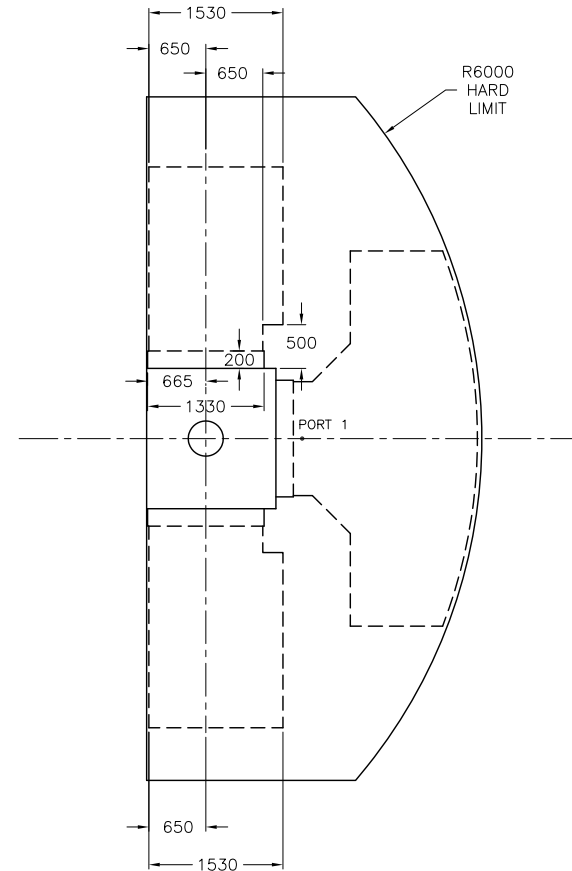
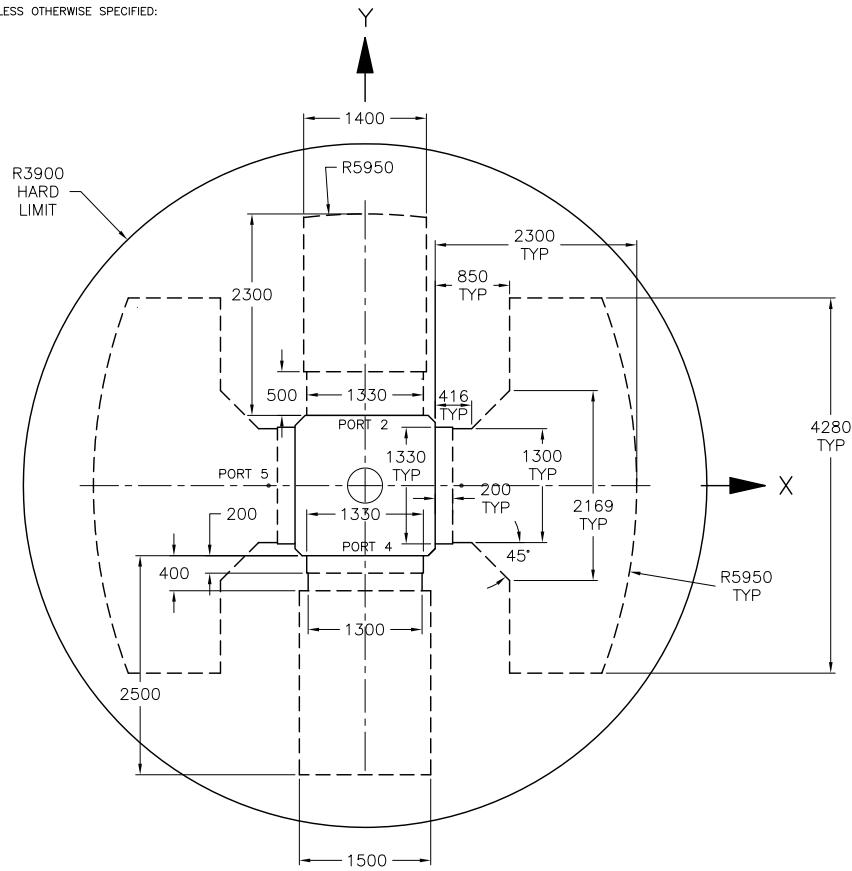


NOTES, UNLESS OTHERWISE SPECIFIED:



REVISIONS			
REV	DESCRIPTION	DATE	APPROVED
B	Increase space at ISS interface and included space allowance for A&G cables on ports 2&4. Space envelope extended on ports 2&4	4.23.97	DM
C	Modify AD space envelope	12.14.98	DM
D	Modify AD space envelope	06.20.01	JS
E	REDRAWN	05.15.14	G.PEREZ



NOTES:

- 1.- DOTTED LINES SHOW SOFT BOUNDARIES OF THE SPACE FOR INSTRUMENTS
- 2.- SOLID LINES SHOW HARD BOUNDARIES
- 3.- HANDLING FIXTURES MAY EXTEND BEYOND THESE BOUNDARIES, DEPENDING ON SIZE AND POSITION, AND WHETHER OR NOT THEY ARE REMOVABLE. SEE ICD 1.9/2.7 SCIENCE AND FACILITY HANDLING EQUIPMENT.

QTY	ITEM NO.	PART OR IDENTIFYING NUMBER	NOMENCLATURE OR DESCRIPTION	PROCUREMENT SPECIFICATION	NOTES
		PARTS LIST			
		UNLESS OTHERWISE SPECIFIED DIMENSIONS ARE IN MILLIMETERS			
		DRWN E. Montgomery	DATE 11.15.06	GEMINI 8-M Telescopes Project <small>Operated by the Association of Universities for Research in Astronomy, Inc. (AURA) under cooperative agreement with the National Science Foundation.</small> AVAILABLE CASSEGRAIN INSTRUMENT SPACE DWG NO. 89-GP-1000-0004	
		CHK			
		ENG			
		DRG			
		CR			
		HOLE TOLERANCES		RELEASE	SCALE 1/1
NEXT ASSY		USED ON		APPLICATION	